


Kysor™ HRU On/Off Fan Drive Assembly

**Drop-in replacement for
existing fan drive assemblies**

**Switch to a Name
You Can Trust.**



Enanced Performance – The Kysor™ HRU fan drive assembly provides substantially more torque. In fact, the HRU has been proven to have the most dynamic torque capacity in the market. Higher performance translates into more power to the engine.

Lower Maintenance Costs – Unlike the competition, the HRU is easily serviced due to its modular design. There is no need to remove the heavy and bulky assembly – the clutch can simply be removed from the hub. Less time results in substantially reduced maintenance costs.

Greater Dependability – The HRU offers reliable operation. In the event of air system pressure failure, the fan remains engaged which prevents the engine from overheating. Greater dependability keeps you from worrying about costly breakdowns.



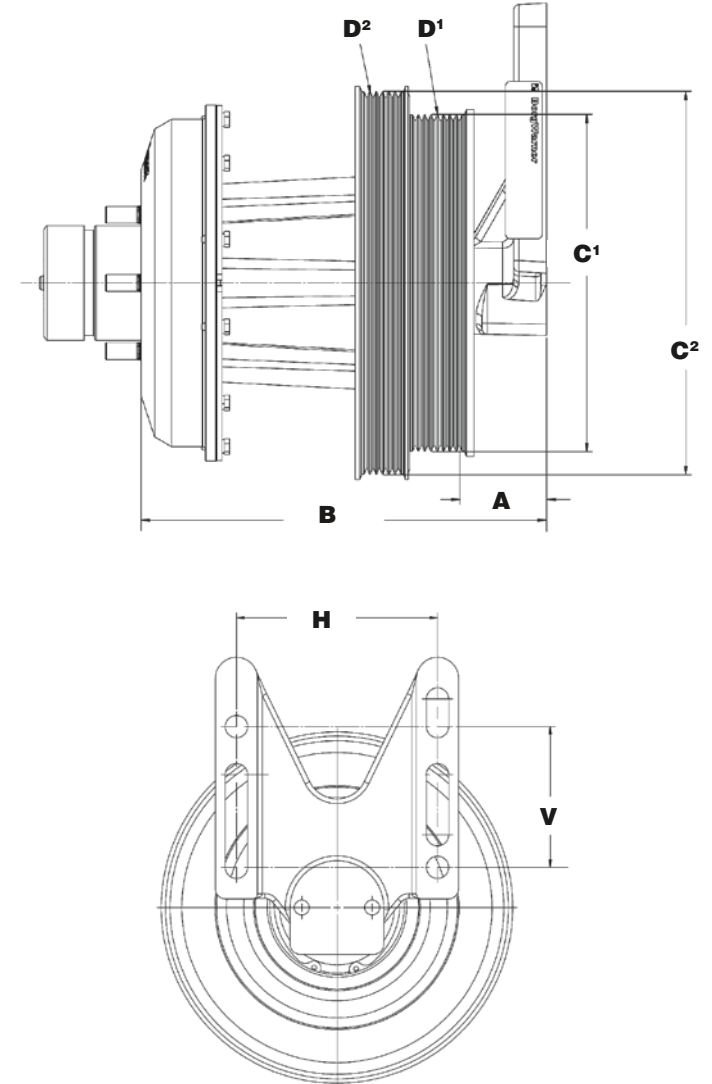
231-779-7500 phone
231-775-5749 fax
800-927-7811 Customer Service
231-779-7528 Tech Service & Troubleshooting
1100 Wright Street • Cadillac, MI 49601

LIT# MB1003
9/06

Cross-Reference Worksheet

Horton OE Part #	HRU Part #	(A) Critical Dimension	(B) Overall Length	Single Pulley	Dual Pulley	(C) Pulley Diameter	(D) Pulley Type	(H) Horizontal	(V) Vertical	Clutch Service Kit	Hub Service Kit	Fan Drive Assembly	Mounting Hub
999004	HRU699004	5.55	10.36	*		6.22	8	3.58	2.79	1033-9339-01	1033-07781-01	1093-08235-02	1077-08234-02
999012	HRU699012	1.94	7.28		*	7.50/9.00	8, 6	5.00	2.69	1033-9339-01	1033-07781-01	1093-09090-02	1077-09089-02
999019	HRU699019	1.48	5.86	*		7.32	10	3.63	3.07	1033-9339-01	1033-07781-01	1093-08102-02A	1077-08101-02A
999023	HRU699023	0.45	6.17		*	7.13/6.19	8, 6	1.97	5.87	1033-9339-01	1033-07781-01	1093-09160-01	1077-09159-01
999026	HRU699026	1.40	6.09	*		6.77	10	3.63	3.27	1033-9339-01	1033-07781-01	1093-08102-04A	1077-08101-04A
999030	HRU699030	6.65	11.22	*		6.77	10	6.36	5.53	1033-9339-01	1033-07782-02	1093-09054-01	1077-09053-01
999037	HRU699037	2.84	6.11		*	7.50/7.75	8, 1	2.32	2.00	1033-9339-01	1033-07781-01	1093-07771-06	1077-07770-06
999041	HRU699041	2.35	8.32	*		5.48	14	5.31	5.39	1033-9339-01	1033-07782-01	1093-08218-02A	1077-08217-02
999047	HRU699047	3.36	8.00	*		5.88	2	---	8.00	1033-9339-01	1033-07781-01	1093-08226-01	1077-08225-01
999065	HRU699065	2.37	7.93	*		6.20	3	5.32	5.00	1033-9339-01	1033-07781-01	1093-07896-04	1077-07895-04
999067	HRU699067	2.37	8.93	*		6.20	3	5.32	8.00	1033-9339-01	1033-07781-01	1093-07896-03	1077-07895-03
999068	HRU699068	0.86	6.85	*		5.56	8	2.36	7.24	1033-9339-01	1033-07781-01	1093-08167-01	1077-08166-01
999070	HRU699070	1.08	6.67		*	7.50/9.00	8, 6	2.32	10.00	1033-9339-01	1033-07781-01	1093-09022-02	1077-09021-02
999074	HRU699074	1.94	9.03		*	7.50/9.00	8, 6	5.00	3.50	1033-9339-01	1033-07781-01	010019008	010019624
999078	HRU699078	1.08	8.17		*	7.50/9.00	8, 6	2.32	10.00	1033-9339-01	1033-07781-01	1293-09022-06	1077-09021-06
999079	HRU699079	3.57	8.35		*	7.79/5.82	14, 3	3.33	8.59	1033-9339-01	1033-07782-03	1093-08134-02	1077-08133-02
999090	HRU699090	5.55	10.36	*		6.22	8	3.58	2.76	1033-9339-01	1033-07781-01	1093-08040-02	1077-08039-02
999103	HRU699103	2.31	7.28	*		7.50	4	5.00	10.00	1033-9339-01	1033-07781-01	1293-07768-04	1077-07767-04
999191	HRU699191	1.94	7.60		*	7.52/9.16	8, 6	5.00	2.69	1033-9339-01	1033-07781-01	1293-09274-01	1077-09273-01
999195	HRU699195	1.48	6.61	*		7.01	12	3.63	3.27	1033-9339-01	1033-07781-01	1293-09262-02	1077-09261-02
999263	HRU699263	5.51	11.73	*		8.36	8	3.58	2.76	1033-9339-01	1033-07781-01	1293-09127-04	1077-09126-04
999292	HRU699292	1.08	6.70		*	7.539/9.039	8, 6	2.32	10.04	1033-9339-01	1033-07781-01	1093-09022-01	1077-09021-01
999011	HRU699011	5.56	10.37	*		7.50	8	3.58	2.76	1033-9339-01	1033-07782-02	1093-09129-01	1077-09128-01
999024	HRU699024	0.45	6.46		*	7.87/6.19	8, 6	1.97	5.87	1033-9339-01	1033-07781-01	1093-09160-02	1077-09159-02
999027	HRU699027	2.38	7.34	*		7.40	3	5.32	8.03	1033-9339-01	1033-07781-01	1093-09092-01	1077-09091-01
999035	HRU699035	3.35	7.54	*		7.03	2	---	5.25	1033-9339-01	1033-07781-01	1093-07987-02	1077-07986-02
999036	HRU699036	6.65	10.80	*		6.77	10	6.36	1.28	1033-9339-01	1033-07781-01	1093-09112-01	1077-09111-01
999052	HRU699052	6.65	13.30	*		6.77	10	6.36	0.98	1033-9339-01	1033-07781-01	1093-09078-03	1077-09077-03
999057	HRU699057	5.56	9.75	*		7.50	8	3.58	2.76	1033-9339-01	1033-07781-01	1093-09123-03	1077-09122-03
999084	HRU699084	0.86	5.62	*		5.56	8	2.36	7.36	1033-9339-01	1033-07781-01	1093-09058-01	1077-09057-01
999098	HRU699098	1.08	5.93		*	7.50/7.75	8, 1	2.32	2.00	1033-9339-01	1033-07781-01	1293-07771-13	1077-07770-13
999161	HRU699161	2.31	8.56	*		7.00	4	5	7.00	1033-9339-01	1033-07781-01	1093-07936-01	1077-07935-01
999168	HRU699168	6.65	11.63	*		6.77	10	6.36	2.02	1033-9339-01	1033-07781-01	1093-09020-04	1077-09019-04
999188	HRU699188	6.66	11.94	*		7.85	12	6.86	0.61	1033-9339-01	1033-07781-01	1293-09278-01	1077-09277-01
999189	HRU699189	1.08	7.47		*	7.48/9.12	8, 6	2.32	10.00	1033-9339-01	1033-07781-01	1293-09293-01	1077-09294-01
999233	HRU699233	2.26	6.84		*	6.22/7.07	8, 1	4.41	2.01	1033-9339-01	1033-07781-01	1093-08080-04	1077-08079-04
999361	HRU699361	1.94	7.15		*	7.19/8.60	8, 6	5	2.23	1033-9339-01	1033-07781-01	010020226	010020282
999373	HRU699373	1.48	6.64	*		7.36	12	3.63	3.27	1033-9339-01	1033-07781-01	1293-09262-03	1077-09261-03
999421	HRU699421	0.67	7.57	*		6.22	8	2.36	8.19	1033-9339-01	1033-07781-01	010019857	010020079
999428	HRU699428	0.67	6.58	*		5.61	8	2.36	8.19	1033-9339-01	1033-07781-01	1293-09318-01	1077-09317-01
999471	HRU699471	2.00	7.37		*	6.402/6.63	6, 10	5.39	7.94	1033-9339-01	1033-07781-01	010020358	010020369
999477	HRU699477	2.00	9.32		*	5.00/5.19/5.31	6, 10, 1	5.39	7.94	1033-9339-01	1033-07781-01	010020399	010020400
999476	HRU699476	2.00	7.40		*	5.69/5.90	6, 10	5.39	7.94	1033-9339-01	1033-07781-01	010020601	010020602
999475	HRU699475	2.00	7.40		*	6.17/6.40	6, 10	5.39	7.94	1033-9339-01	1033-07781-01	010020608	010020610
999478	HRU699478	2.00	9.32		*	5.24/5.47/5.31	6, 10, 1	5.39	7.94	1033-9339-01	1033-07781-01	010020407	010020408
999454	HRU699454	1.48	6.91	*		6.50	10	3.63	3.27	1033-9339-01	1033-07781-01	010020946	010020944
999223	HRU699223	4.17	10.55	*		7.54	10	9.53	2.56	1033-9339-01	1033-07781-01	1293-09290-01	1077-09289-01

Note: All measurements are in inches



The Kysor™ HRU On/Off Fan Drive Assembly is designed to work with the existing solenoid and fan.

HUB SERVICE KITS		CLUTCH SERVICE KIT	
1033-07781-01	O-RING VITON	1033-09339-01	ROTARY SEAL
	SNAP RINGS		CYLINDER SEAL
	BALL BEARINGS		WASHER SEAL
	COUPLING		CYLINDER ASSY
1033-07782-02	BALL BEARING		U-PACKING SEAL
	SNAP RING		O-RING VITON
	COUPLING		LOCKNUT
1033-07782-03	O-RING VITON		CLUTCH LINING
	BALL BEARINGS		COUPLING
	SNAP RING		NYLON PATCH
	COUPLING		GREASE PACKET
	O-RING VITON		